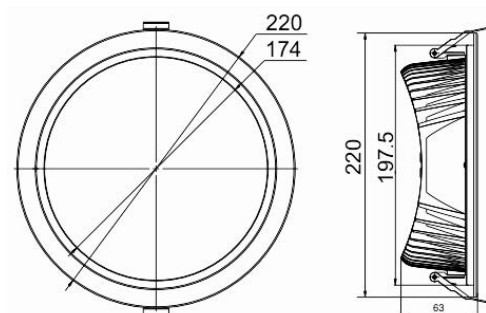


PYRO II



Product information



Source Type	SMD LED
Corrected Colour Temperature	Specify 3000K or 4000K
Control gear	Electronic Driver
Cut out	Ø205mm
Height	63mm
IP	IP54
Power	32W & 40W
CRI	specify 80
Beam angle	60°

Recessed LED fixed down light with PC opal diffuser, designed for uniform lighting where Vertical illumination is important. This fitting is finished in satin white or matte black powder coated.

The heat sink and the trim is constructed with high grade aluminum, for better heat dissipation.

Designed with minimal trim width.

Luminous flux at 25°C

Colour Rendering Index specify >80 standard

SMD Chip with 3- Step Mac-Adam Ellipse.

Non-dimmable ECG standard, Phase Dim/DALI is optional.

50,000-hour 5 year warranty

Specification of the product

Part No.	CCT	Power (W)	Driver current (mA)	Luminous Flux (lm)
220.840.40	4000K	40	1000	3800
220.840.32	4000K	32	800	3040
220.830.40	3000K	40	1000	3600
220.830.32	3000K	32	800	2880

LITENET