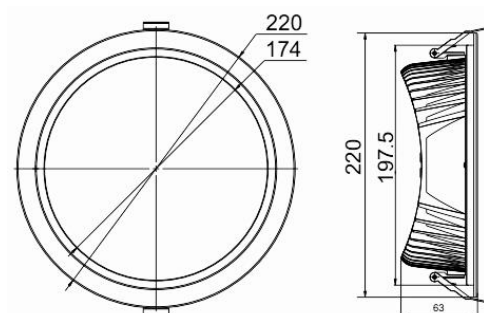


PYRO



Product information



Source Type	SMD LED
Corrected Colour Temperature	Specify 3000K or 4000K
Control gear	Electronic Driver
Cut out	Ø200mm
Height	63mm
IP	IP54
Power	16W, 32W, 32W & 40W
CRI	specify 80
Beam angle	60°

Recessed LED fixed down light, designed for uniform lighting where Vertical illumination is important. This fitting is finished in satin white or matte black powder coated.

The heat sink and the trim is constructed with high grade aluminum, for better heat dissipation.

Designed with minimal trim width.

Luminous flux at 25°C 3000K 3375lm / 4000K 3562lm.

Colour Rendering Index specify >80 standard

SMD Chip with 3- Step Mac-Adam Ellipse.

Non-dimmable ECG standard, Phase Dim/DALI is optional.

50,000-hour 5 year warranty

Specification of the product

Part No.	CCT	Power (W)	Driver current (mA)	Luminous Flux (lm)
220.840.40	4000K	40	1000	3800
220.840.32	4000K	32	800	3040
220.840.20	4000K	20	500	1900
220.840.16	4000K	16	400	1520
220.830.40	4000K	40	1000	3600
220.830.32	4000K	32	800	2880
220.830.20	4000K	20	500	1800
220.830.16	4000K	16	400	1440