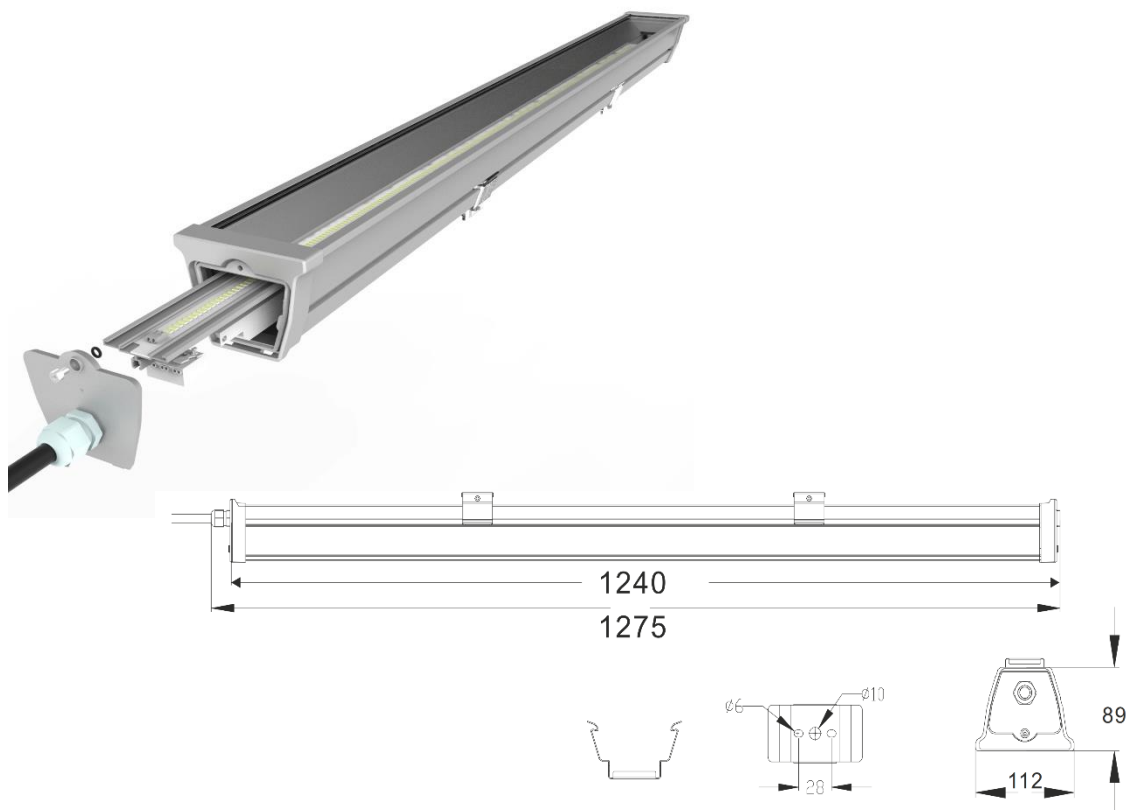


## SHIELD II



### Product information



Source Type	LED Array
Corrected Colour Temperature	4000K
Control gear	Electronic Driver
Dimensions	W106xH86 (mm)
IP	IP65
Power	Up to 70W
CRI	>80 or 90
IK rating	07

The Shield II is a linear surface mounted LED luminaire. This well-crafted light fitting is well built to withstand the elements suitable for Chemical Plants, Agriculture and animal husbandry and food processing industrial lighting applications. The body of this fitting is made with Galvanized steel and coated with Anti-Static Polyurethane resin powder for added protection. There are three types of diffusers available frosted tempered glass rated at IK07, polycarbonate rated at IK08 or PMMA to attain protection against high chemical exposer.

This fitting is designed with smooth curves to minimize water retention, which makes this fitting ideal for wet areas.

This fitting can be surface mounted or suspended. Custom brackets are available.

Colour Rendering Index 80 or 90

Non-dimmable ECG standard, DALI is optional

50,000 hour life span (L80)

## Specification of the product

Shield L(mm)	Power	CRI	CCT	Part Number	Lumens (lm)
1275mm	60W	80	4000K	Shield II 1275.48.60	5400lm
1275mm	60W	90	4000K	Shield II 1275.49.60	5130lm

